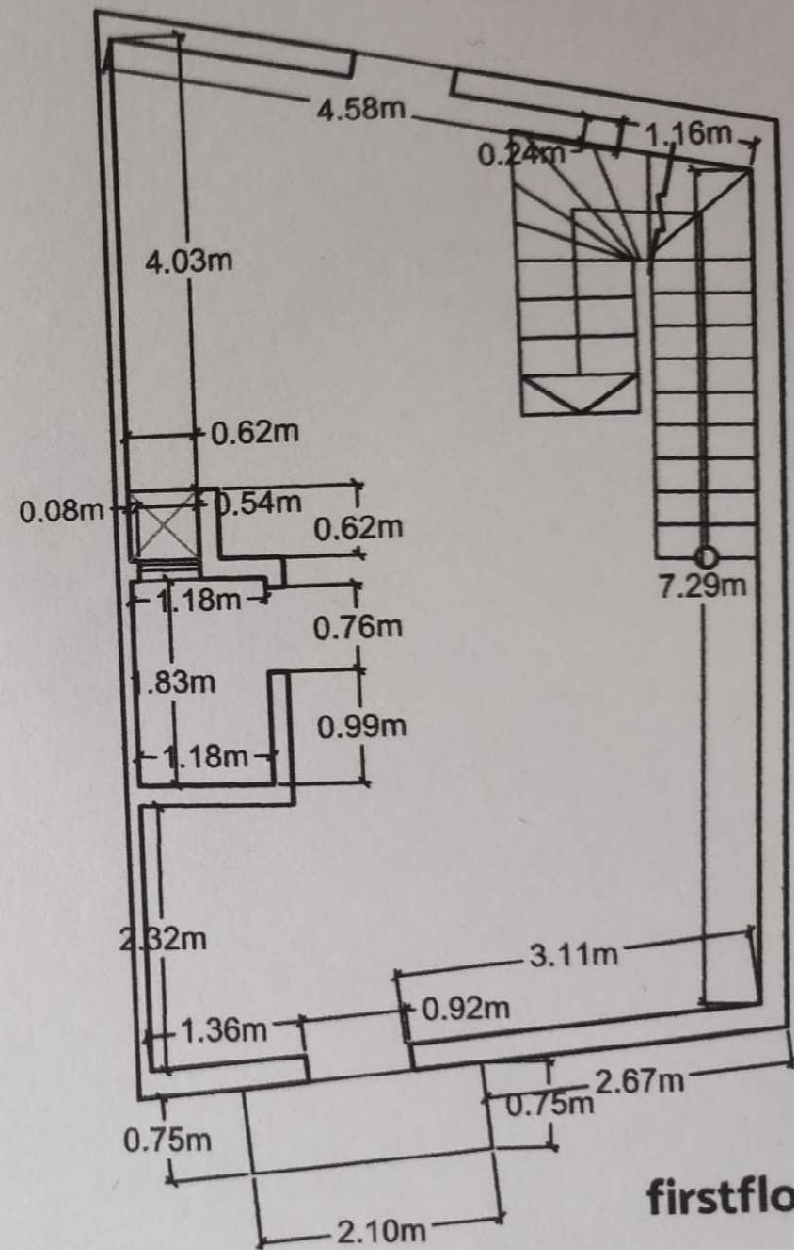
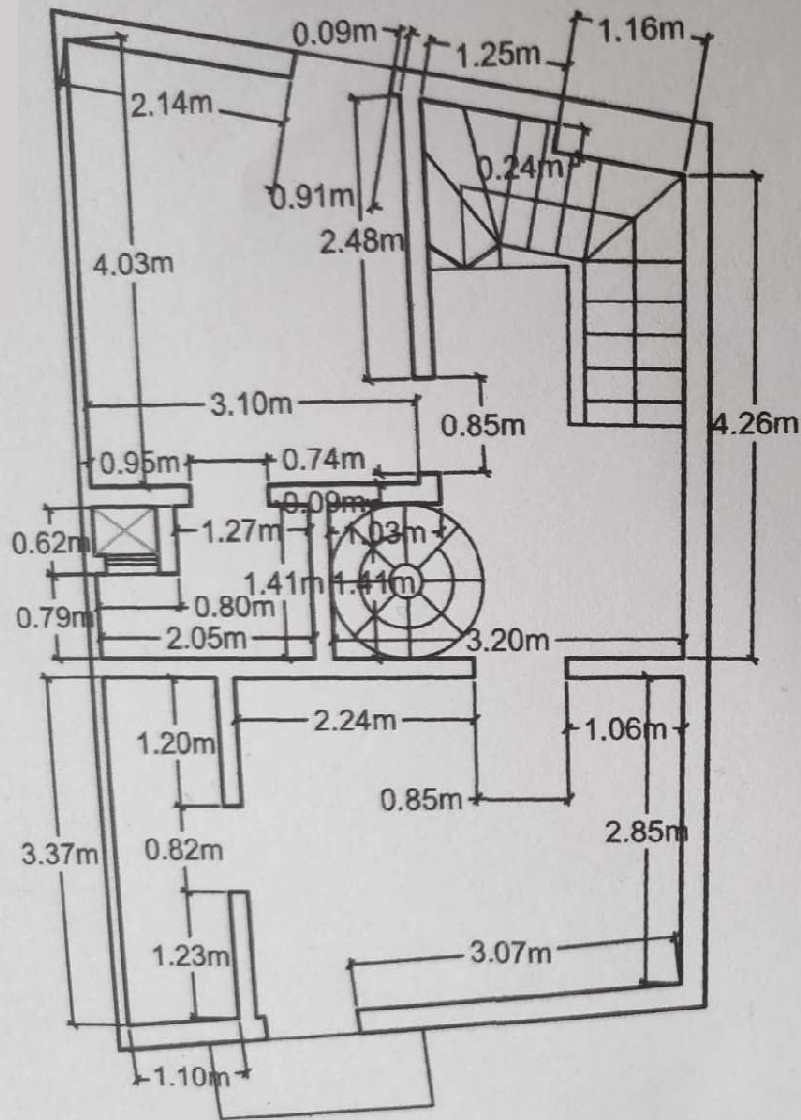


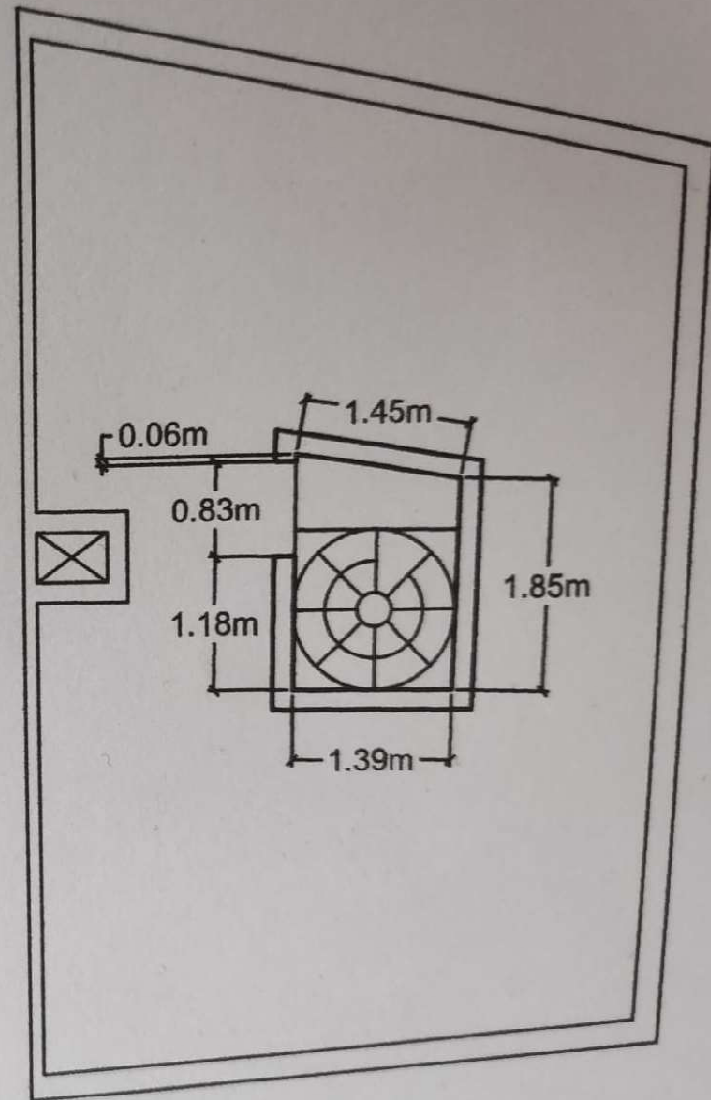
groundfloor



firstfloor



second floor



roof