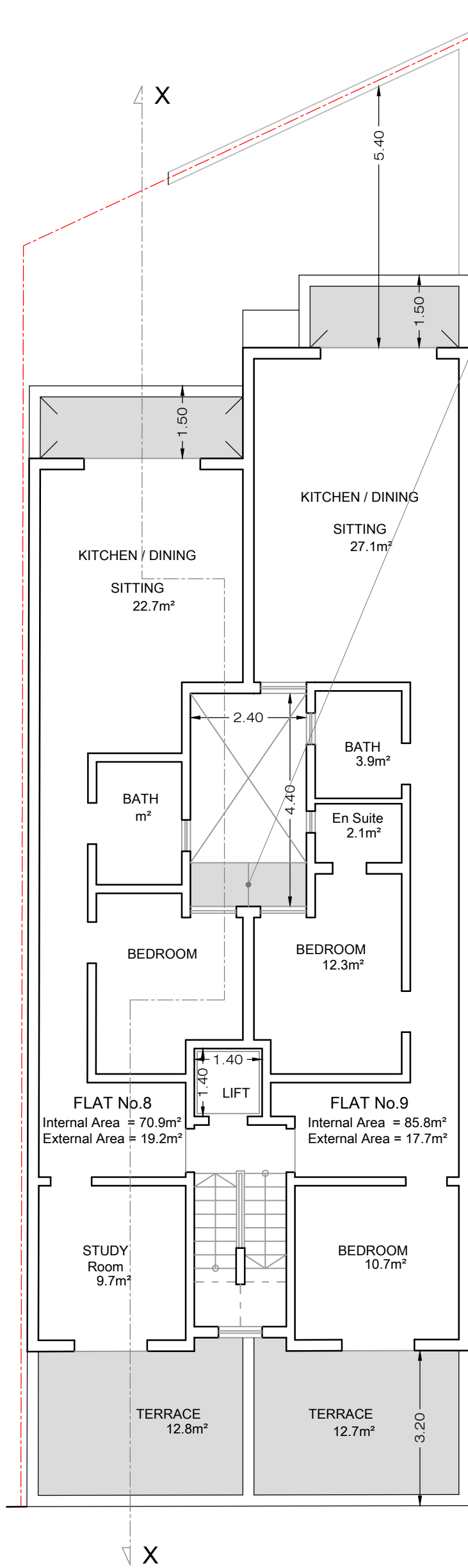
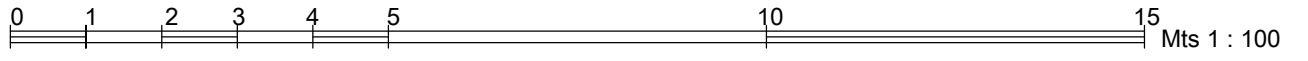
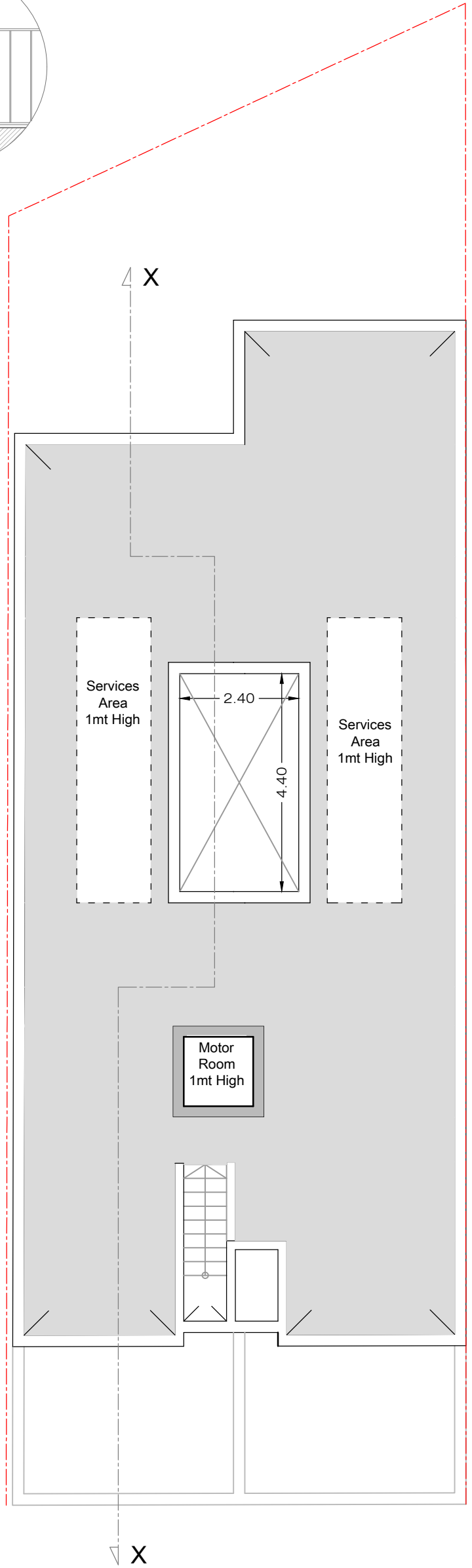
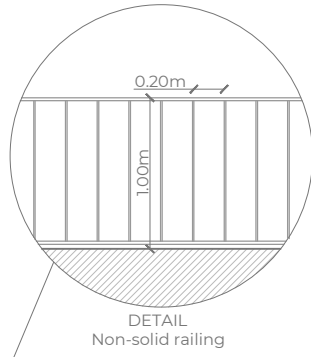


FLOOR LEVEL		INTERNAL	EXTERNAL
Receded	Flat No.8	70.3m ²	19.2m ²
	Flat No.9	85.8m ²	17.7m ²



RECEDED FLOOR
Scale 1:100



ROOF PLAN
Scale 1:100